

# THOR

DIGITAL CONTROLLER  
MODEL L800

## Cooling Tower / Boiler / Water Treatment / Chemical Feed Digital Controller

Remote access and management of your sites has never been more important. Introducing THOR, the digital computer that controls while integrated with communication and cloud software. THOR is a complete end to end platform. From a single installation to enterprise installations, THOR is what you have been looking for to provide a complete control and management solution all in one.

### FEATURES

- Digital Ready Controller - integrated modbus making sensor setup a snap
- Fully integrated cloud software for a single device or Enterprise accounts, access all of your devices from a single portal
- Server Based alarming. Manage all of your notification settings for one or hundreds of controllers from one location – no mail servers to configure and manage.
- Integrated Cellular gateway no need for a separate gateway
- Security – Secure Private Network and Private IP address Device Certificate Authentication
- Cloud based firmware updates
- Ethernet and WIFI included
- Intuitive remote programming
- Simplified ordering

### APPLICATION

THOR can be configured to support a wide range of industrial applications. Advanced software with intuitive programming supports onsite and remote management for all of your system needs.

Single and multiple industrial applications can be controlled and monitored with the integrated cloud software. Reporting and analytics are integrated into the solution. A single point for managing all of your assets.



### DIGITAL PROBE BENEFITS

- Supports Pyxis Digital Sensors – set up in a snap
- Programming and calibration software is built in – no extra hardware required
- Probe level information – serial number, date of manufacture and more....
- Calibration history log

Over



ENERGY RESOURCE  
PRODUCTS

EnergyResourceProducts.com  
763-270-9334



## FEED TYPES

- Set Point (value)
- Scheduled (Biocide)
- Time and Percent (pulse modulation)
- Feed on water volume (meter)
- Boiler Blow (intermittent sampling)
- Pre Bleed and Post Bleed lock out options
- Cycles
- Analog proportional and PID (requires analog output module sold separately)
- and more.

## TECHNICAL SPECIFICATIONS

### Operational

- Cat 1 cellular modem with dual antenna
- Ethernet (rj45) – default as DHCP
- Modbus TCP/IP –
- User configurable IP settings – supports static IP
- 4 - 20 Character LCD Screen
- 1 Ethernet port
- 1 RS232 Port (rj45)

### Mechanical:

- Enclosure: 304 Stainless steel welded construction
- Nema4x: paddle lock loop latches
- Dimensions: 12x10x4
- Shipping weight: approx. 9 lbs.

### Electrical

- Input: 100 - 240 VAC 50/60Hz
- Control: Equal to input voltage – Control Relays jointly fused at 6 amps
- Loop Power: 24vdc at 2.5 amps – max 58 watts

### Environmental

- Ambient temperature: 0°- 50° C
- Relative Humidity: 0 -90% non-condensing

## UNIVERSAL SENSOR INPUT

- Supports most any 24vdc loop powered sensors
- Support dry contact (pulse, hZ, pulse width, contact)
- Pyxis Digital Sensors

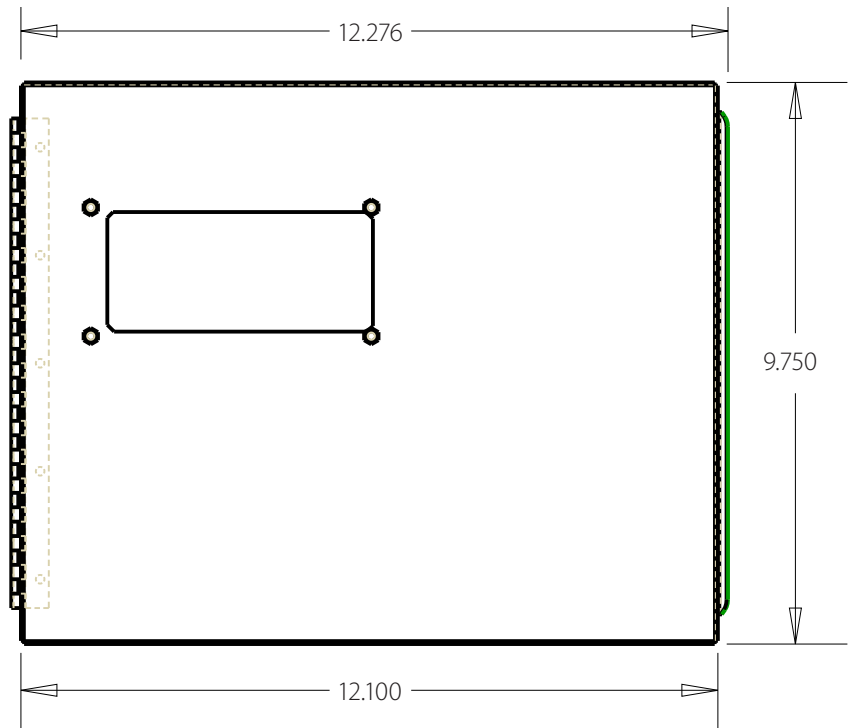
## NUMBER OF INPUTS / OUTPUTS

### Inputs

- 10 Pyxis Digital Sensors
- 8 Dry contacts
- 8 Analog Inputs (4-20mA loop powered)

### Outputs

- 8 powered relays
- Modbus TCP/IP included (Ethernet)
- 4 Analog out\* (transmit and/or proportional feed)



ENERGY RESOURCE  
PRODUCTS

EnergyResourceProducts.com  
763-270-9334